
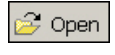


A Family Table controls whether a feature is present or not for a given design instance, not whether a feature is displayed. The Generic is the base model [Fig. 6.19(h)].

Click: **Tools** ⇒ **Family Table** ⇒ click on **CLAMP_ARM_DESIGN** ⇒  [Fig. 6.19(i)] ⇒ adjust your windows to view both models ⇒ from Generic part window, click: **Window** ⇒ **Activate** ⇒ **Tools** ⇒ **Family Table** ⇒ click on **CLAMP_ARM_WORKPIECE** ⇒ **RMB** ⇒  [Fig. 6.19(j)] ⇒ **Window** ⇒ **Close** ⇒ **Window** from the menu bar of **CLAMP_ARM_DESIGN** ⇒ **Activate** ⇒ **Window** ⇒ **Close** ⇒ **Window** ⇒ **Activate** ⇒ **Ctrl+S** ⇒ **MMB**

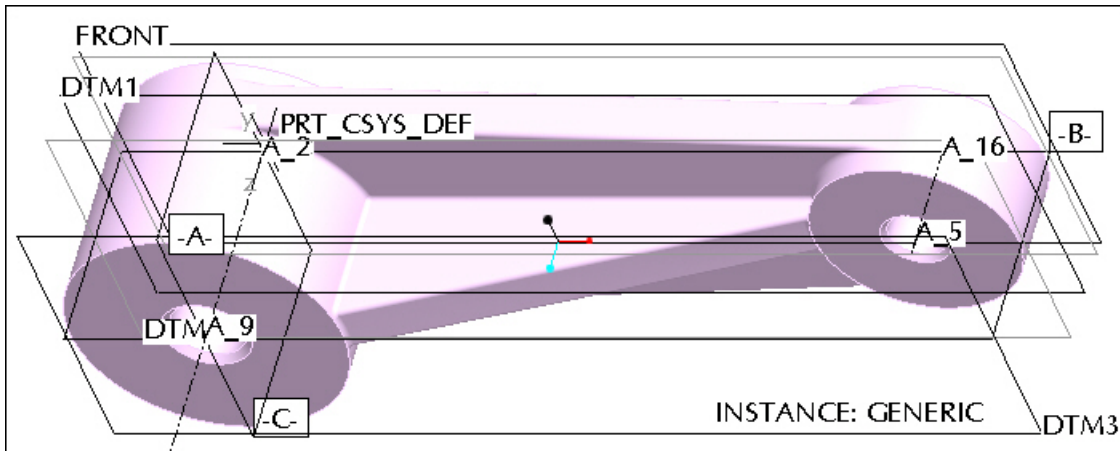


Figure 6.19(h) Instance: GENERIC

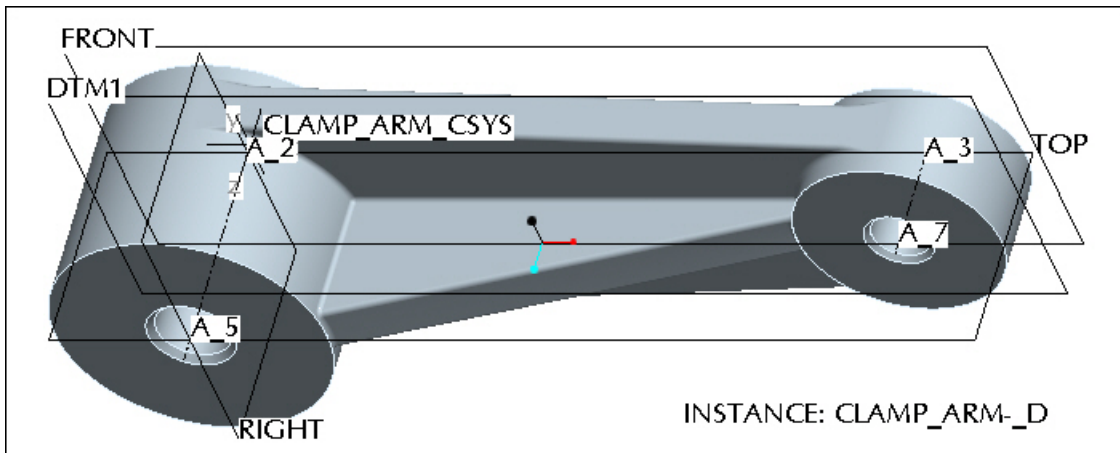


Figure 6.19(i) Instance: CLAMP_ARM_DESIGN

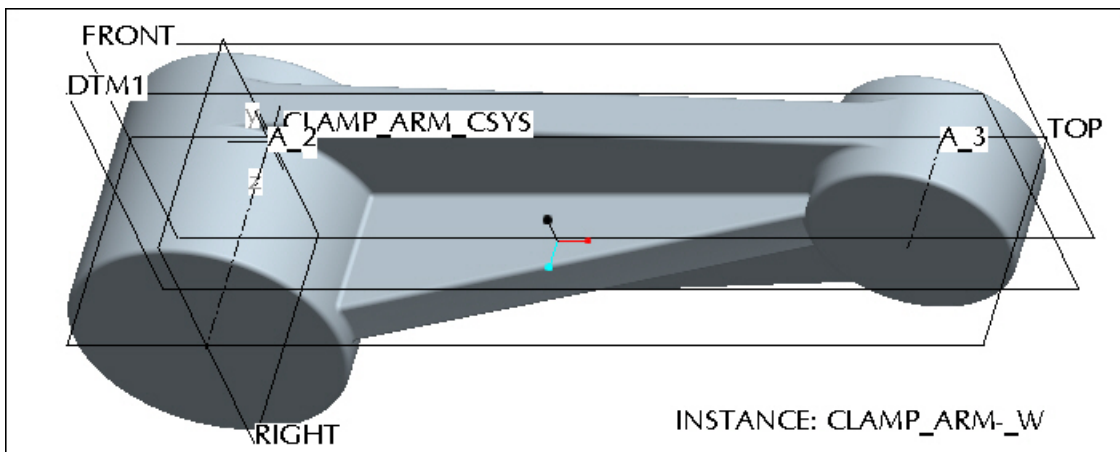


Figure 6.19(j) Instance: CLAMP_ARM_WORKPIECE